

# 016-1979-01 and above Front Hard-Drive Kit Instructions

## **Warning**

The servicing instructions are for use by qualified personnel only. To avoid personal injury, do not perform any servicing unless you are qualified to do so. Refer to all safety summaries before performing service.

[www.tektronix.com](http://www.tektronix.com)



075-0941-03

**Tektronix**

Copyright © Tektronix. All rights reserved. Licensed software products are owned by Tektronix or its subsidiaries or suppliers, and are protected by national copyright laws and international treaty provisions.

Tektronix products are covered by U.S. and foreign patents, issued and pending. Information in this publication supersedes that in all previously published material. Specifications and price change privileges reserved.

TEKTRONIX and TEK are registered trademarks of Tektronix, Inc.

## **Contacting Tektronix**

Tektronix, Inc.  
14150 SW Karl Braun Drive  
P.O. Box 500  
Beaverton, OR 97077  
USA

For product information, sales, service, and technical support:

- In North America, call 1-800-833-9200.
- Worldwide, visit [www.tektronix.com](http://www.tektronix.com) to find contacts in your area.

---

# Service Safety Summary

Only qualified personnel should perform service procedures. Read this *Service Safety Summary* and the *General Safety Summary* before performing any service procedures.

**Do Not Service Alone.** Do not perform internal service or adjustments of this product unless another person capable of rendering first aid and resuscitation is present.

**Disconnect Power.** To avoid electric shock, switch off the instrument power, then disconnect the power cord from the mains power.

**Use Care When Servicing With Power On.** Dangerous voltages or currents may exist in this product. Disconnect power, remove battery (if applicable), and disconnect test leads before removing protective panels, soldering, or replacing components.

To avoid electric shock, do not touch exposed connections.



# Kit Description

This document supports Tektronix DPO7000/C, DPO70000/B/C, DSA70000/B/C, MSO70000/C, AWG5000, and AWG7000 Series instruments. The Front Hard-Drive kit is a collection of parts that, once installed, configure the instrument with a remote-removeable hard drive in a standard 19-inch equipment rack.

This kit supports ECR31270, ECR32183 and ECR32216.

## Products

<b>DPO7000/C Series</b>	All (configuration 1)
<b>DPO70000/B/C Series</b>	All (configuration 2)
<b>DSA70000/B/C Series</b>	All (configuration 2)
<b>MSO70000/C Series</b>	All (configuration 2)
<b>AWG7000 Series</b>	All (configuration 3)
<b>AWG5000 Series</b>	All (configuration 3)

## Minimum Tool and Equipment List

<b>Required tools and equipment</b>	<b>Part number</b>
Screwdriver, Phillips, #2	Standard tool
T-15 Torx tip	Torx-driver tip for T-15 size screw heads
Screwdriver handle (magnetic)	Accepts 1/4 inch hex-head driver tips

## Kit Parts List

This table lists the parts for the kit.

<b>Kit</b>	<b>Quantity</b>	<b>Part number</b>	<b>Description</b>
016-1978-xx	1 each	016-1979-xx	Front hard-drive kit consisting of the following:
	1 each	–	Adapter, disk drive
	1 each	–	Assembly, drive support
	1 each	075-0941-03	Technical manual, instructions

## Warranted Characteristics

When the instrument is installed according to the instructions in this document, the rackmounted instrument with front hard drive meets all warranted requirements listed in the instrument specification. Hard drives installed using methods other than those described in these instructions might not meet their warranted requirements.

For tables of the warranted characteristics, see Specification in the specification and performance verification manual that applies to your instrument model.

# Installation Instructions

These instructions are for qualified service personnel who are familiar with servicing the product. If you need further details for disassembling or reassembling the product, refer to the appropriate product manual. Contact your nearest Tektronix, Inc., Service Center or Tektronix Factory Service for installation assistance.

## Remove

Remove the handle and trim as shown. (See Figure 1.)

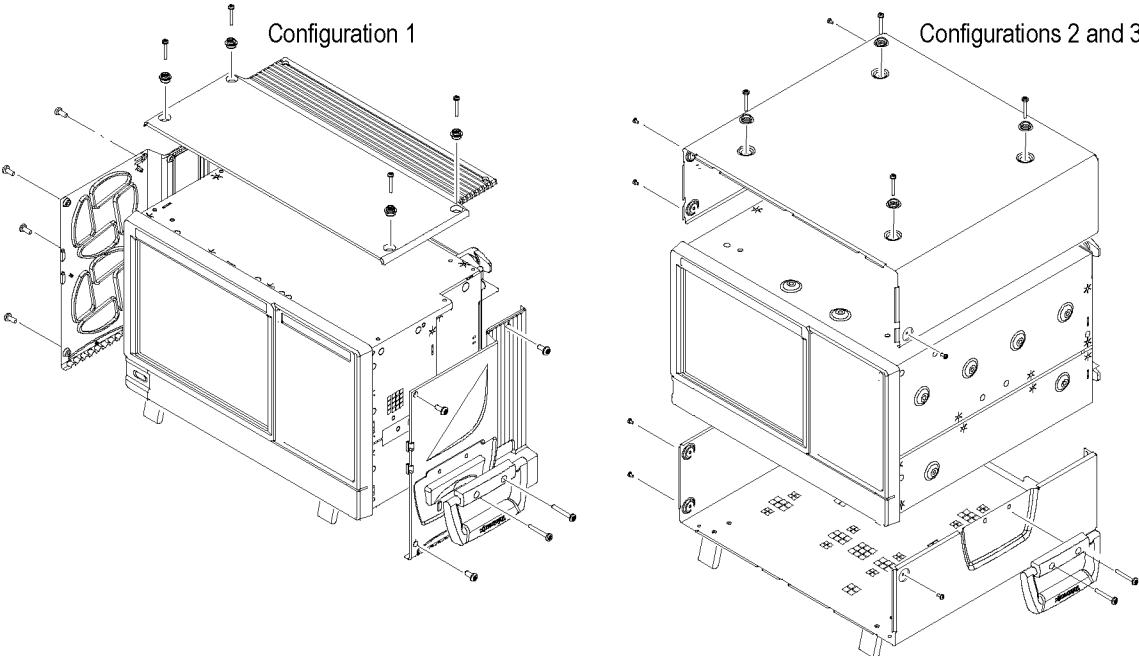


Figure 1: Remove handle and trim

## Install

Install the drive support assembly in your rack platform as shown in the following figures:

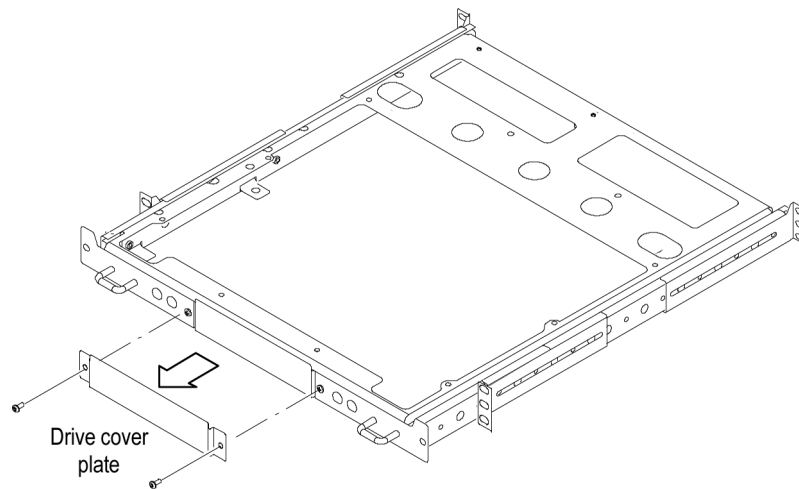


---

**CAUTION.** *Configuration 3 has additional spacer rails.*

---

1. Remove drive cover plate. (See Figure 2.)



**Figure 2: Removal of drive cover plate (configuration 1 and 2 shown)**



- 2. Install the remote hard drive support brackets, and then install the drive support assembly.

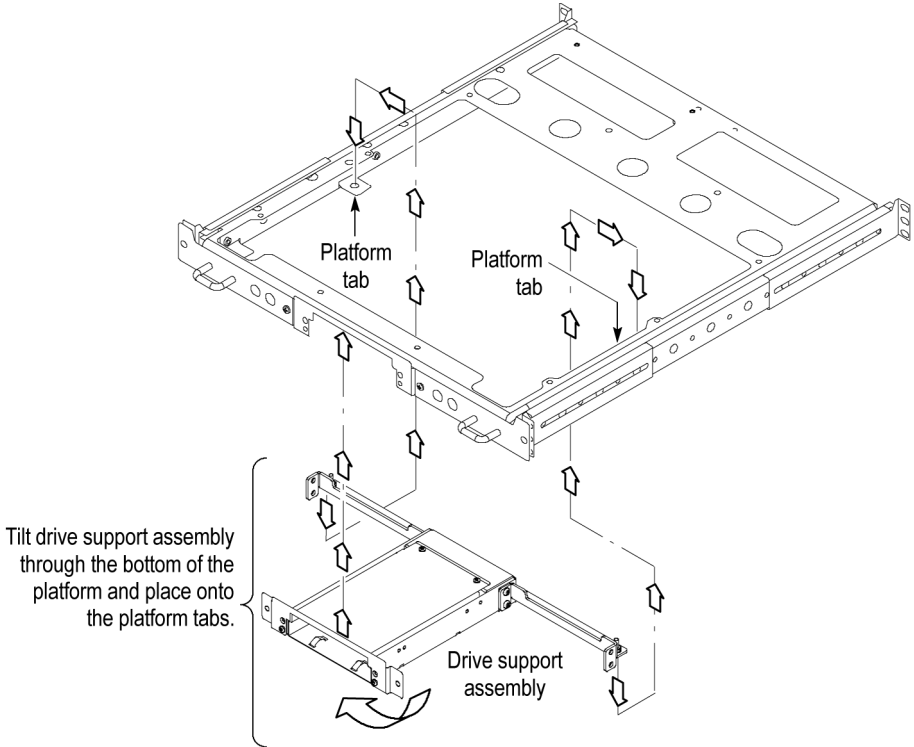


Figure 3: Assembly installation (configurations 1 and 2 shown)

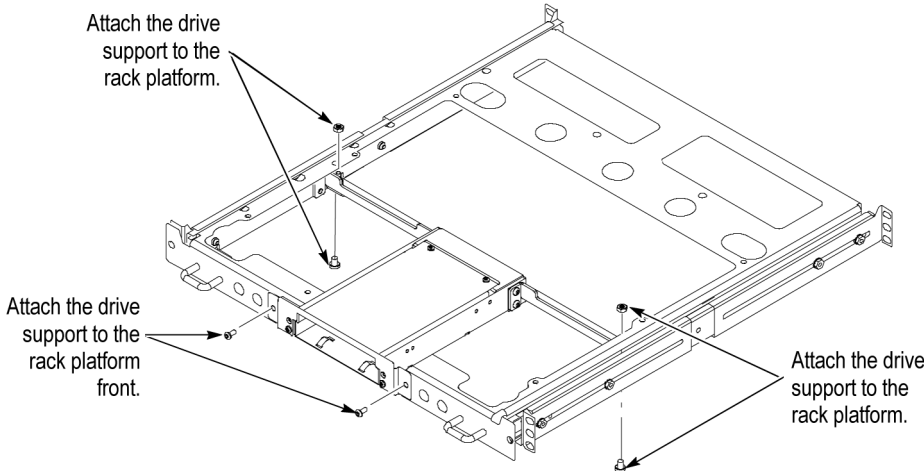
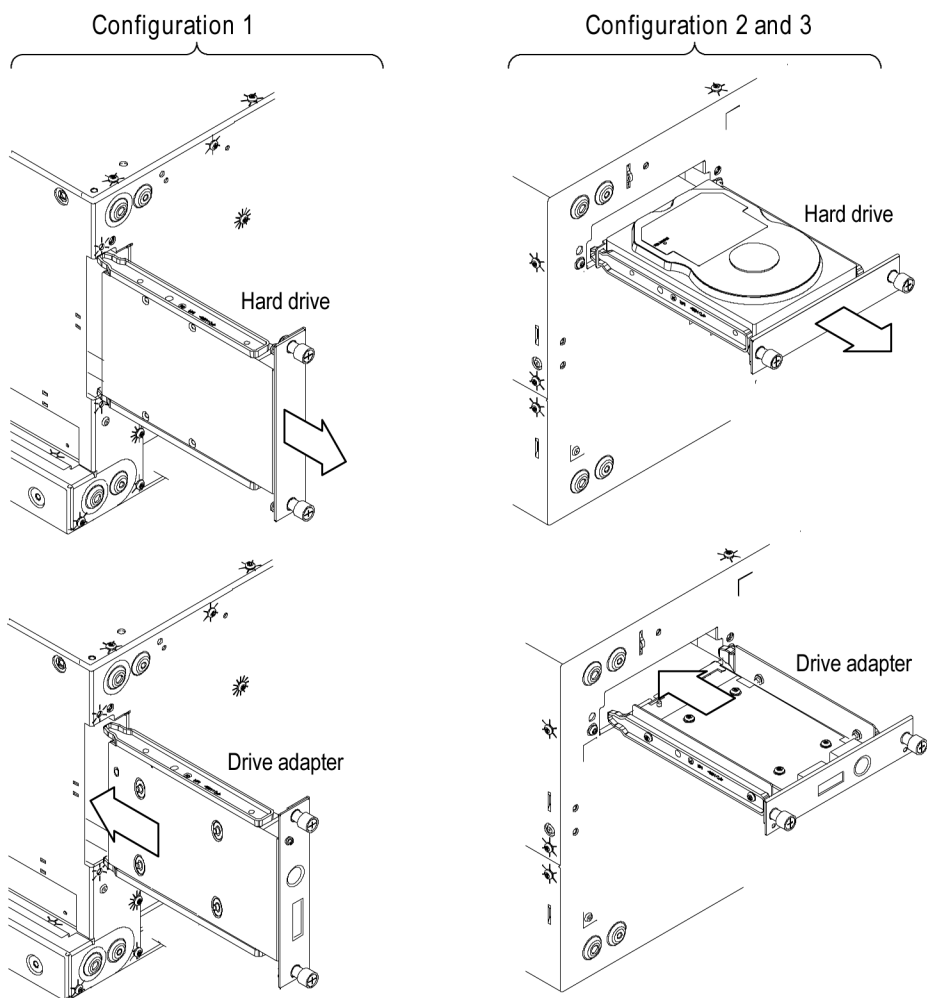


Figure 4: Assembly installation (configurations 1 and 2 shown)

## Reassemble

1. Remove the hard drive from the instrument.
2. Install the drive adapter in the instrument.



**Figure 5: Hard drive and adapter**

3. Install the drive adapter cables to the Drive Adapter. Dress the drive adapter cables as shown. (See Figure 6.)



**CAUTION.** If you connect the Drive Adapter cables to any location other than the Drive Adapter you may damage the connected equipment. Do not plug keyboards or mice into the Drive Adapter. The Drive Adapter cables and sockets are not compatible with PS/2 ports.

4. Remove the rack slides. (See Figure 6.)

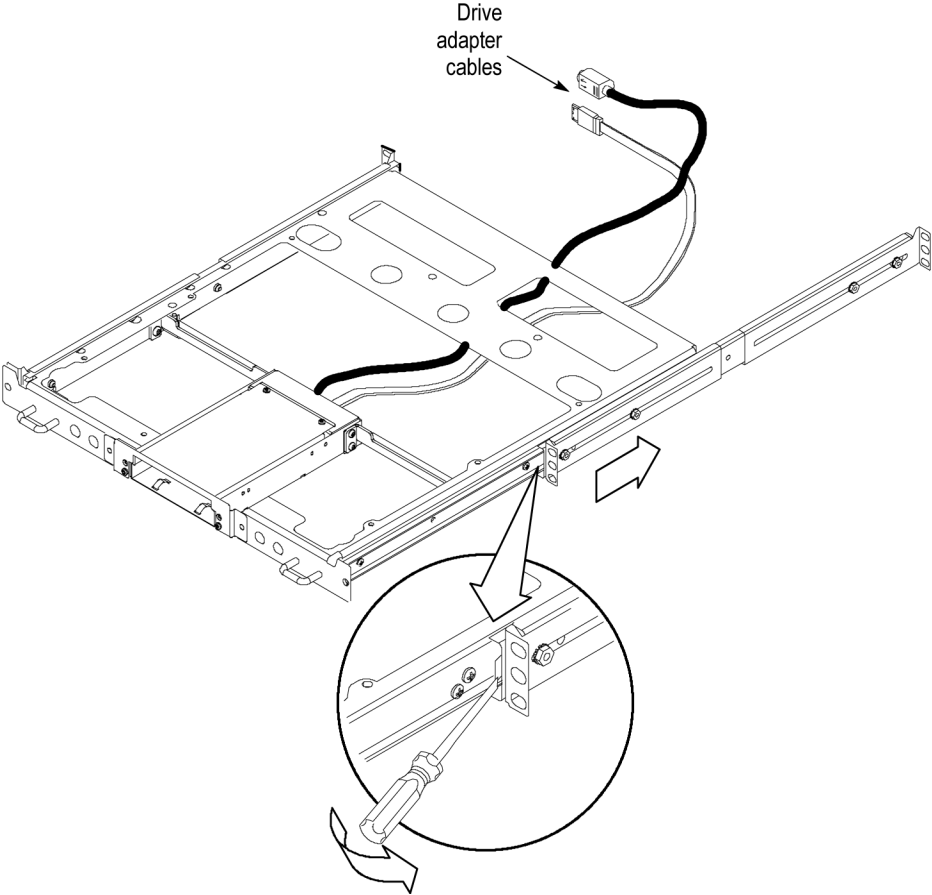


Figure 6: Removing the rack slides (configurations 1 and 2 shown)

5. Attach the rack slides to your equipment rack. (See Figure 7.)

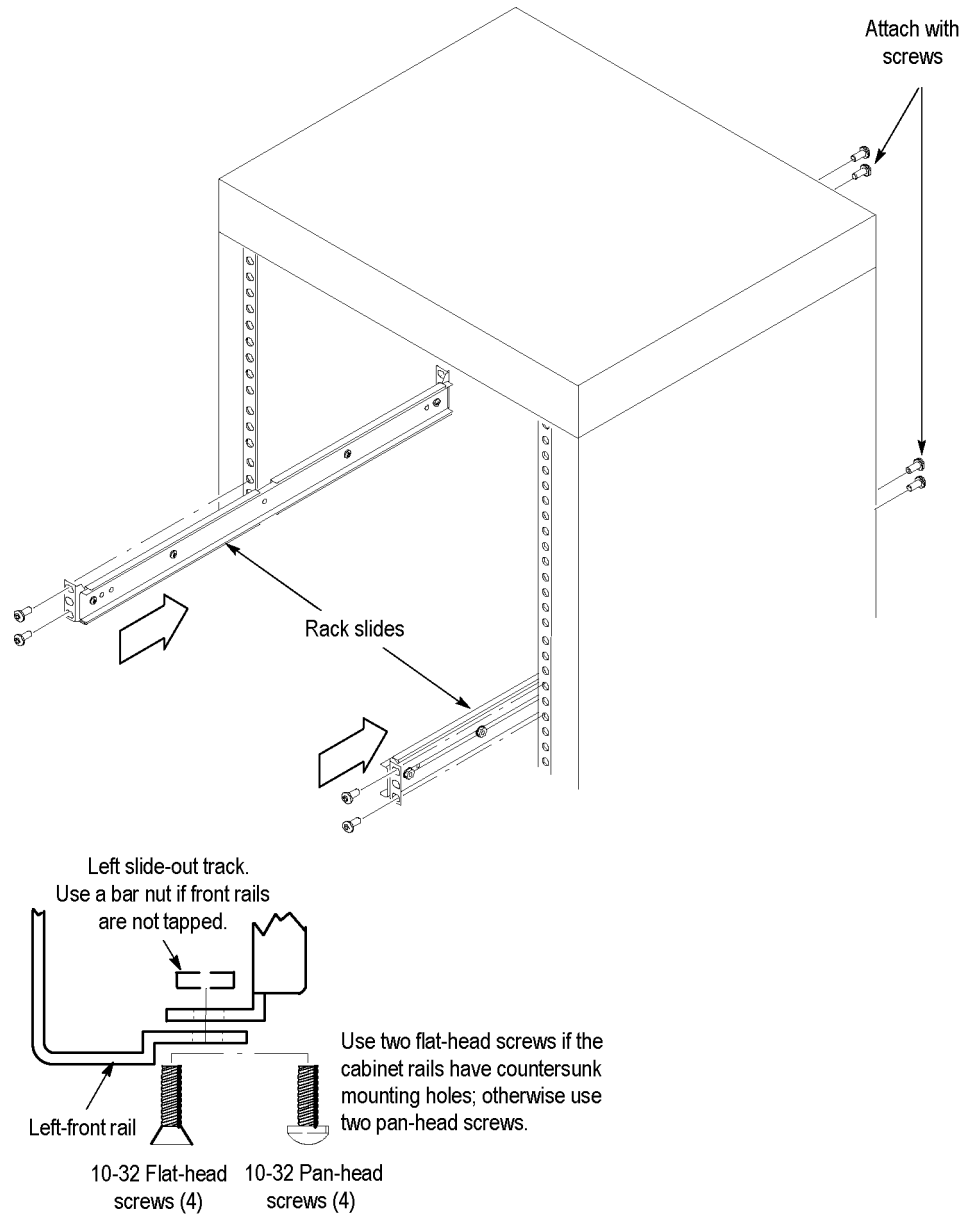
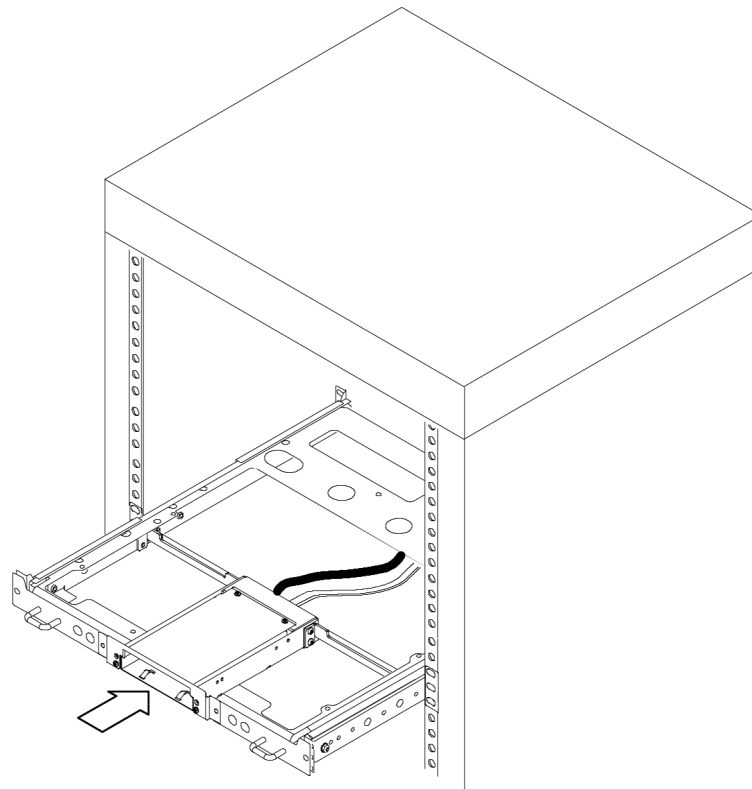


Figure 7: Installing the rail slides

6. Install the rack platform in your equipment rack by inserting the platform into the slides as shown. (See Figure 8.)



**Figure 8: Installation of rack platform in rack (top view) (configurations 1 and 2 shown)**



**WARNING.** To avoid personal injury, prevent the instrument from tipping or dropping, two or more people should install this instrument into the rack cabinet.

*After completing the installation procedure, verify that the instrument and the rack cabinet will not tip forward while the instrument is in the extended position.*

*Do not leave the instrument extended when finished accessing the rear panel.*

---

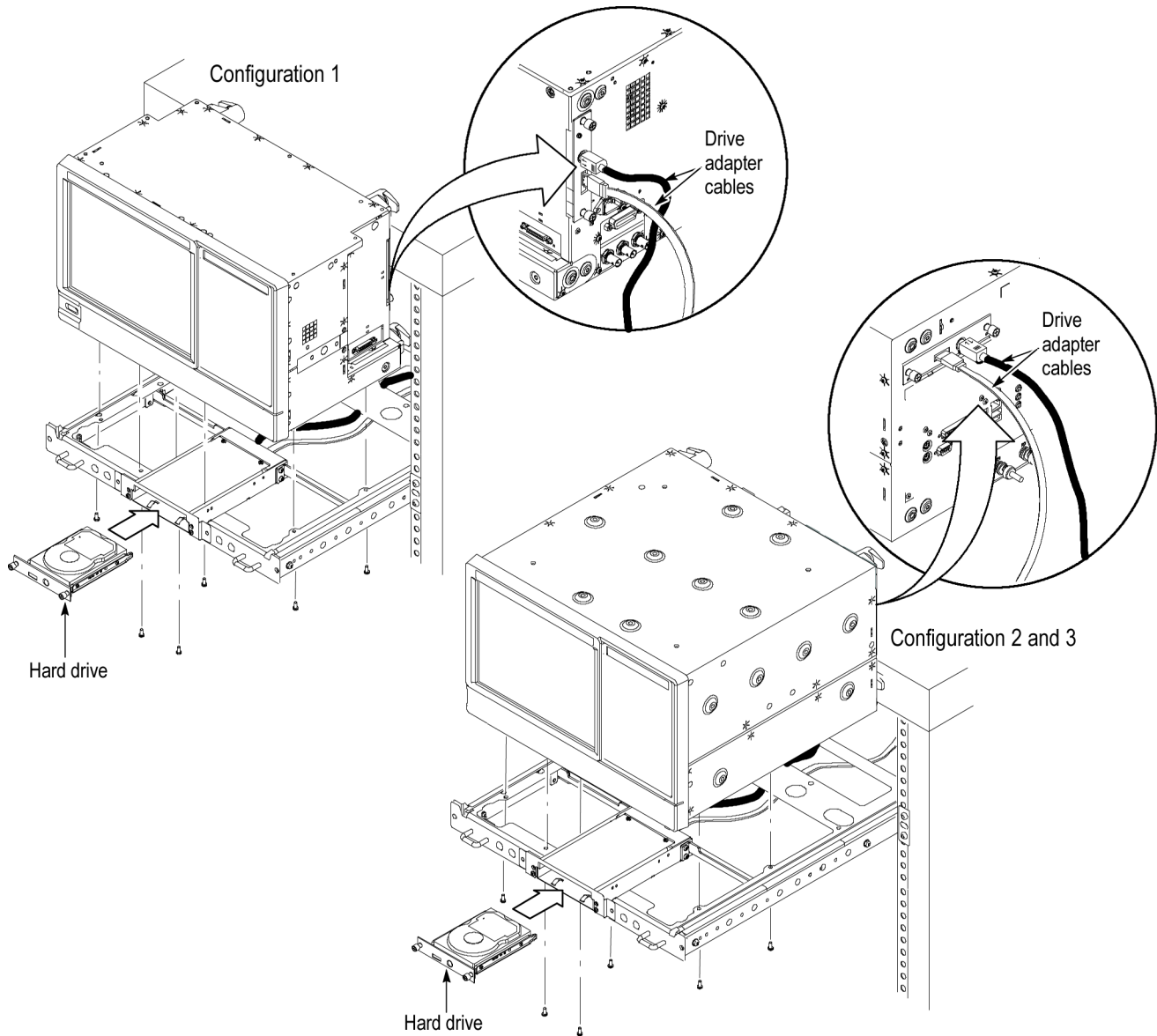
7. Install the hard drive in the hard drive support assembly of the rackmount assembly.
8. Install the drive adapter cables in the drive adapter in the instrument.



**CAUTION.** If you connect the drive adapter cables to PS2 connectors, you may damage the connected equipment. The drive adapter cables are not PS2 cables.

---

9. Install your instrument on the rack plate as shown. (See Figure 9.)



**Figure 9: Installing the instrument on the rack plate**

10. Install the power cord. Provide access to a power plug or mains disconnect switch for turning the instrument on/off.
11. Install any cables you need connected to the instrument rear or side panels.
12. Slide the instrument into the equipment rack.

13. Install the appropriate trim plates as shown. (See Figure 10.)

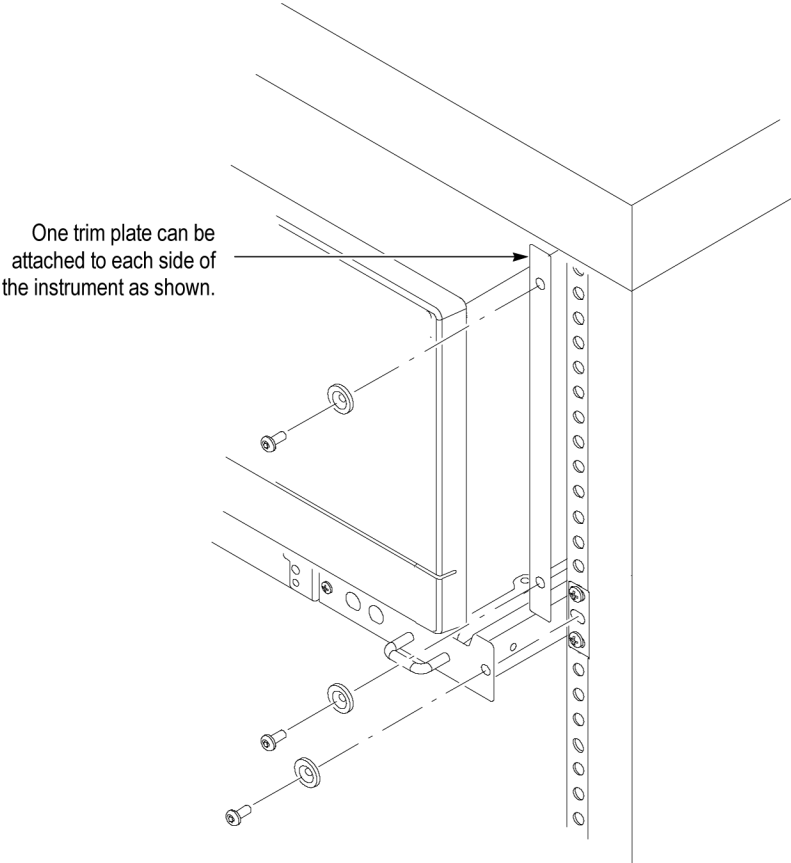


Figure 10: Installation of trim plate

*End of document*